



衡隆(东莞)电机有限公司

HENGLONG(DONGGUAN) motor CO.,LTD

产品手册

2020/10



三相异步电动机、减速机

关于衡隆 >> 企业概况

COMPANY PROFILE

衡隆(东莞)电机有限公司是一家集电机驱动、微特电机、减速机的研发、制造、销售,现占地面积15000平方米,公司立足于智能化、自动化装备核心部件制造商和设计方案提供者,

衡隆(东莞)电机有限公司是非标特殊电动机的专业制造商,主要是铝合金电机,非标电机,减速机等传动产品.广泛应用于冶金矿山、石油电力、化工橡胶、施工工程、建材机械、铁路车辆、港口船舶、纺织印染、食品包装、烟草机械、制药机械、环保设备、造纸印刷、起重输送、物流卸装、农牧机械、渔业机械、轻工机械、皮革机械、铸造机械、焊接设备、制冷设备等通用设备和舞台、游戏机、立体车库等非标设备。



公司拥有真空浸漆、数控车床、精密磨床、智能化检测仪及整机高精度动平衡机等设备与测试手段,公司产品以其差异化和高性价比优势,广泛应用于工业机器人、智能物流、新能源、工作母机等领域,以及食品、包装、纺织、电子、医疗等专用机械设备。

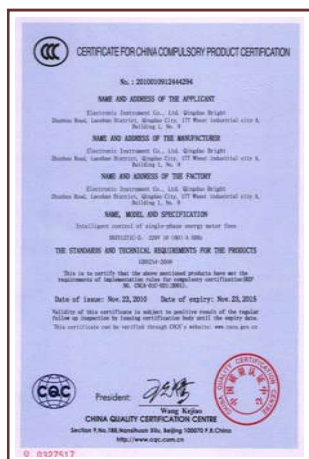
公司以“衡隆、实现自动化应用的无限可能”为使命,以“追求全体员工物质和精神两方面幸福、为人类社会的进步发展做出贡献”为经营理念,

公司以“衡隆、实现自动化应用的无限可能”为使命,以“追求全体员工物质和精神两方面幸福、为人类社会的进步发展做出贡献”为经营理念,

以“发展自己、关爱他人”为核心价值观,努力塑造先进的企业文化凝聚团队力量;以产品经营向资本经营转变为契机,加快产业转型升级和国际化发展步伐,

我公司始终以“用我的品牌,创您的名牌”为企业宗旨,坚持质量是企业生存的源泉的方针,以人为本的经营理念,以优质的产品,高效的服务回报社会,确保我们的用户持续具有行业竞争优势。我们在生产上深化质量管理体系,严谨的工艺要求,严格的原材料把关,技术上的大胆创新,采用新型材料,这些都促使了产品始终保持着稳定的质量,并赢得了国内、外新老客户的赞誉!

为实现“创世界一流品牌、建百年智能恒隆”愿景,壮大民族工业而奋斗!





YE₂ 高效三相异步电动机

YE₂ series three-phase asynchronous motor

功率范围:power from(KW):0.12-11

防护等级 Protection grade:F级

绝缘等级 Insulation class:IP55



YEJ 高效电磁制动三相异步电动机

YEJ series three-phase asynchronous motor

功率范围:power from(KW):0.12-11

防护等级 Protection grade:F级

绝缘等级 Insulation class:IP55



YVP 高效变频调速三相异步电动机

YVP series three-phase asynchronous motor

功率范围:power from(KW):0.12-11

防护等级 Protection grade:F级

绝缘等级 Insulation class:IP55



NMRV 系列蜗轮减速机

NMRV WORM REDUCER GERR UNITS

额定扭矩output torque (N.m):8-1023

额定功率rated power (kw):0.06-7.5

传动比transmission ratio \geq 7.5



微型齿轮减速电机

MIGRO AC GEAR MOTOR

额定扭矩output torque (N.m) : 0.10-120

额定功率rated power (w) : 15-750

传动比transmission ratio ≥ 3



G 系列全封闭齿轮减速机

G SMALL REDUCTION GERR UNITS

额定扭矩output torque (N.m) : 2.6-970

额定功率rated power (kw) : 0.10-3.7

传动比transmission ratio ≥ 5



WP 系列铸铁蜗轮减速机

WP WORM REDUCER GERR UNITS

额定扭矩output torque (N.m) : 19-1782

额定功率rated power (kw) : 0.12-22

传动比transmission ratio ≥ 10



直流无刷电动滚筒

BRUSHLESS DC DRUM MOTOR

额定扭矩output torque (N.m) : ≥ 0.032

额定功率rated power (w) : ≥ 10

传动比transmission ratio ≥ 3.7

PRODUCT INTRODUCTION

恒隆电机的市场定位是业界最佳传动设备供应商,日本产品的低成本,德国产品的稳定,美国产品的先进性,是我们赶超的基准,只要我们持续地改进,就会无穷地逼近高质量、低成本和效率的理想目标.

本公司产品部分系列可直接替换德国SEW公司,德国FLENDER公司,日本椿本TSUBAKI公司,意大利MOTOVARIO公司同型号产品。



RX、R 斜齿轮减速机



F 平行轴斜齿轮减速机



K 斜齿轮-锥齿轮减速机



S 斜齿轮-蜗轮减速机



T 螺旋锥齿轮转向器



HD 螺旋锥齿轮转向器



P/PX 行星减速机



感应/直流微型减速马达



G 全封闭齿轮减速机



KM 准双曲面齿轮减速机



NMRV/WP 蜗轮蜗杆减速机



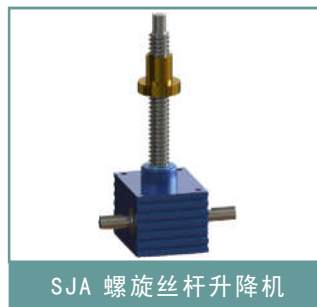
WB 微型摆线减速机



MB/UDL 行星无级变速机



JWM/SWL/SJ 丝杆升降机



SJA 螺旋丝杆升降机



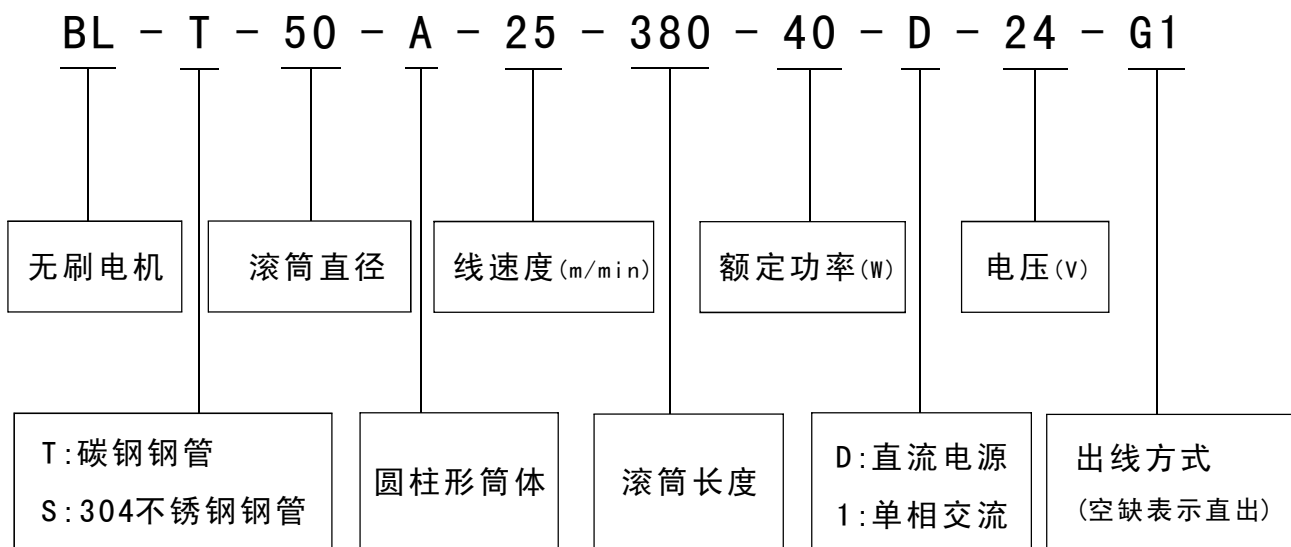
HB 工业齿轮箱



直流无刷电动滚筒



品名的阅读方法:





BI42电动滚筒
BL42 DRUM MOTOR



■ 产品信息 Product Information

此款电动滚筒式空间极其有限的情况下，仍可以安装得到要求的力矩。采用高合金钢精磨齿轮和行星传动结构为主体设计，具有性能可靠、免维护、免加油、适合较小的安装空间等诸多优点。适用于多个领域：

This type of drum motor can be installed in limited space and meet the torque requirement. Using alloy steel grinded gears and planetary transmission structure, it is reliable, free of maintenance and oil-renewing, space-saving. It can be use in many fields:

- 超市收银台 Supermarket cashier
- 包装机械 Packaging machinery
- 皮带输送线 Belt conveyor line

■ BL42电动滚筒特征 BL42 Characteristics Of Drum Motor

● 筒体 Drum Shell

· 标准筒体为低碳钢材质 · 食品级筒体为304不锈钢 · 标准筒体表面加工有防滑滚花 · 齿轮传动 · 高合金钢精磨齿轮，确保传动时低噪音 · 行星齿轮传动

· Material of standard drum shell is mild steel · Food garde shell is 304 stainless steel · Standard cylinder rolling mill gear slip flower - gear · High alloy steel precision, ensures low noise transmission when the · Planetary gear transmission

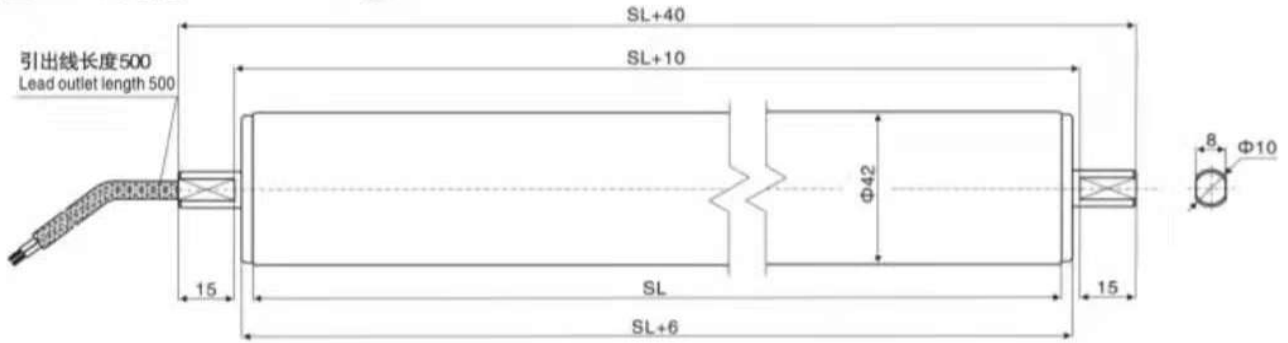
■ 电机基本特性 Basic Characteristics Of Motor

● 外径42滚筒 (DC电源时适用于24VDC/36VDC/48VDC) External diameter 42 drum motor (DC Power Supply When Applied To 24VDC/36VDC/48VDC)

额定功率(连续) Rated power (continuous)	W	10		
额定转速 Rated speed	r/min	3000		
额定转矩 Rated torque	N.m	0.032		
瞬时最大转矩 Instantaneous maximum torque	N.m	0.048		
速度控制范围 Speed control range	RPM	200~3000		
速率变化率 Speed control range	对负载 On load	± 1.0%以下: 条件 0-额定转矩、额定转速、额定电压、常温 Below ± 1%: condition 0-rated torque, rated speed, rated voltage, room temperature		
	对电压 On voltage	± 1.0%以下: 条件 额定电压 ± 10%、额定转速、额定负载、常温 Below ± 1%: condition rated voltage ± 10%, rated speed, rated load, room temperature		
	对温度 On temperature	± 1.0%以下: 条件 使用环境温度0~+40oC 额定转速、额定负载、额定电压 Below ± 1%: Conditions of ambient temperature 0~+40oC rated voltage, rated load and rated speed		
电源输入 Power input	额定电压 Rated voltage	V	/	24VDC(可选Optional 36VDC/48VDC)
	电压容许范围 Voltage tolerance range	± 10%		
	频率 Frequency	Hz	/	/
	频率容许范围 Frequency tolerance range	/		
	额定输入电流 Rated input current	A	/	0.7
	瞬时最大输入电流 Instantaneous maximum input current	A	/	1.4



BL42尺寸图 BL42 Outlining Dimensions



- 管径: Φ42 • 壁厚: t1.5 • 电源: DC24V • 材质: 20#碳钢 • 表面处理: 镀锌
- Diameter: Φ42 • Wall thickness: t1.5 • Power supply: DC24V • Material: 20# carbon steel • Surface treatment: zinc plating

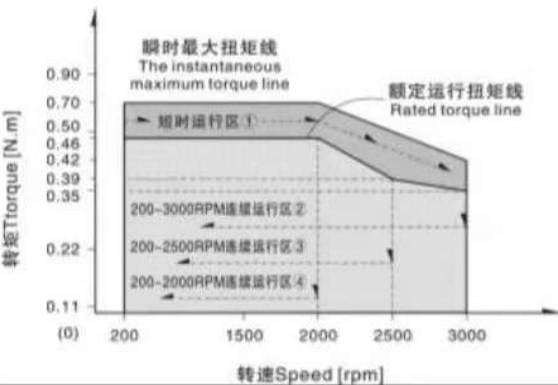
BL42机械参数 BL42 Mechanical Parameters

额定功率P Rated Power P W	齿轮箱级数 Gear Box Series	减速比i Reduction Ratio i	最高线速度V Max Speed V m/min	额定转速n Rated Speed n RPM	允许扭矩T Allowable Torque T Nm	起动力F Driving Force F N	长度L Length L mm
10W	一级 One Stage	3.70	107	810.8	0.10	4.760	≥240-600
		4.29	92.3	699.3	0.12	5.710	
		5.18	76.4	579.2	0.15	7.140	
		6.75	58.6	444.4	0.19	9.050	
	二级 Two Stage	13.69	28.9	219.1	0.35	16.67	≥260-600
		18.40	21.5	163.0	0.47	22.38	
		19.17	20.6	156.5	0.49	23.33	
		24.98	15.8	120.1	0.64	30.48	
		26.83	14.7	111.8	0.69	32.86	
		28.96	13.6	103.6	0.75	35.71	
		34.97	11.3	85.80	0.90	42.86	
	三级 Three Stage	45.56	8.70	65.80	1.17	55.71	≥280-600
		50.65	7.80	59.20	1.17	55.71	
		70.91	5.50	42.30	1.65	78.57	
		78.95	5.00	38.00	1.83	87.14	
		92.41	4.30	32.50	2.15	102.4	
		107.14	3.70	28.00	2.49	118.6	
		129.37	3.00	23.20	3.00	142.9	
168.58		2.30	17.80	3.91	186.2		
236.01	1.60	12.70	4.00	190.5			
307.55	1.20	9.700	4.00	190.5			

• 此参数为电机使用转速范围在200~300RPM时 This parameter is used for motor speed range in 200~300RPM

运动特性曲线 Motion Characteristic Curve

- (取二段减速, 减速比为13.7K的滚筒为例)
Take the two stage of the reduction, the reduction ratio of 13.7K for the roller as an example



引出线说明 Lead Out Outlet

蓝(带)	黄(带)	绿(带)	红(带)	黄(带)	绿(带)	蓝(带)	黑(带)
Blue(带)	Yellow(带)	Green(带)	Red(带)	Yellow(带)	Green(带)	Blue(带)	black(带)
W	U	V	Vcc+5V	Hu	Hv	Hw	GND

- ◀注: ① Short-time operation area
- ② 200~3000RPM Continuous operation area
- ③ 200~3000RPM Continuous operation area
- ④ 200~2000RPM Continuous operation area



BL50电动滚筒 BL50 DRUM MOTOR



产品信息 Product Information

此款电动滚筒式空间极其有限的情况下，仍可以安装得到要求的力矩。采用高合金钢精磨齿轮和行星传动结构为主体设计，具有性能可靠、免维护、免加油、适合较小的安装空间等诸多优点。适用于多个领域：

This type of drum motor can be installed in limited space and meet the torque requirement. Using alloy steel grinded gears and planetary transmission structure, it is reliable, free of maintenance and oil-renewing, space-saving. It can be use in many fields:

- 超市收银台 Supermarket cashier
- 包装机械 Packaging machinery
- 皮带输送线 Belt conveyor line

BL50电动滚筒特征 BL50 Characteristics Of Drum Motor

筒体 Drum Shell

- 标准筒体为低碳钢材质 · 食品级筒体为304不锈钢 · 标准筒体表面加工有防滑滚花 · 齿轮传动 · 高合金钢精磨齿轮，确保传动时低噪音 · 行星齿轮传动
- Material of standard drum shell is mild steel · Food garde shell is 304 stainless steel · Standard cylinder rolling mill gear slip flower – gear · High alloy steel precision, ensures low noise transmission when the · Planetary gear transmission

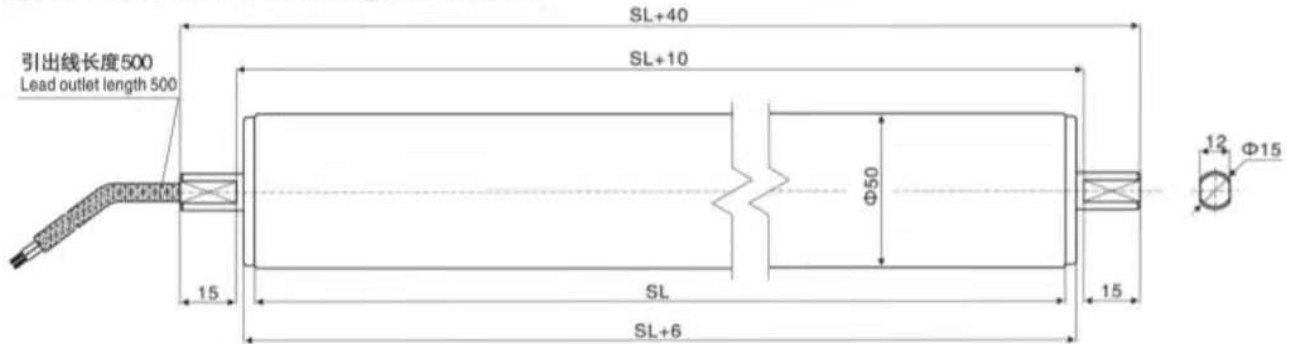
电机基本特性 Basic Characteristics Of Motor

- 外径50滚筒 (DC电源时适用于24VDC/36VDC/48VDC) External diameter 50 drum motor (DC Power Supply When Applied To 24VDC/36VDC/48VDC)

额定功率(连续) Rated power (continuous)	W	40		
额定转速 Rated speed	r/min	3000		
额定转矩 Rated torque	N.m	0.127		
瞬时最大转矩 Instantaneous maximum torque	N.m	0.191		
速度控制范围 Speed control range	RPM	200~2500		
速率变化率 Speed control range	对负载 On load	± 1.0%以下: 条件 0-额定转矩、额定转速、额定电压、常温 Below ± 1%: condition 0-rated torque, rated speed, rated voltage, room temperature		
	对电压 On voltage	± 1.0%以下: 条件 额定电压 ± 10%、额定转速、额定负载、常温 Below ± 1%: condition rated voltage ± 10%, rated speed, rated load, room temperature		
	对温度 On temperature	± 1.0%以下: 条件 使用环境温度 0~+40°C 额定转速、额定负载、额定电压 Below ± 1%: Conditions of ambient temperature 0~+40°C rated voltage, rated load and rated speed		
电源输入 Power input	额定电压 Rated voltage	V	单相 Single phase 110V	单相 Single phase 220V 24VDC(可选 Optional 36VDC/48VDC)
	电压容许范围 Voltage tolerance range		± 10%	
	频率 Frequency	Hz	50/60	/
	频率容许范围 Frequency tolerance range		± 5%	
	额定输入电流 Rated input current	A	0.72	0.36
瞬时最大输入电流 Instantaneous maximum input current	A	1.40	0.55	5.60



BL50尺寸图 BL50 Outlining Dimensions



- 管径: Φ50 • 壁厚: t1.5 • 电源: DC24V/AC220V • 材质: 20#碳钢 • 表面处理: 镀锌
- Diameter: Φ50 • Wall thickness: t1.5 • Power supply: DC24V/AC220V • Material: 20# carbon steel • Surface treatment: zinc plating

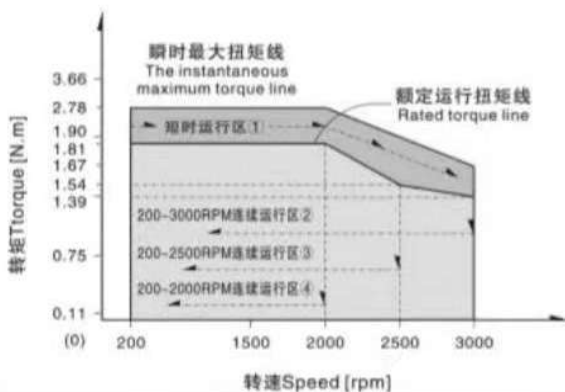
BL50机械参数 BL50 Mechanical Parameters

额定功率P Rated Power P W	齿轮箱级数 Gear Box Series	减速比i Reduction Ratio i	最高线速度V Max Speed V m/min	额定转速n Rated Speed n RPM	允许扭矩T Allowable Torque T Nm	起动力F Driving Force F N	长度L Length L mm
40W	一级 One Stage	3.65	129	821.9	0.420	16.80	≥260-800
		5.36	88.0	559.7	0.610	24.40	
		6.55	72.0	458.0	0.750	30.00	
		8.63	54.6	347.6	0.990	39.60	
	二级 Two Stage	13.53	35.0	221.7	1.390	55.60	≥270-800
		18.92	25.0	158.6	1.950	78.00	
		24.65	19.0	121.7	2.540	101.6	
		28.05	16.8	106.9	2.890	115.6	
		33.92	14.0	88.40	3.500	140.0	
		44.69	10.5	67.10	4.610	184.4	
	三级 Three Stage	58.22	8.00	51.50	6.000	240.0	≥290-800
		67.08	7.00	44.70	6.240	249.6	
		81.11	5.80	37.00	7.540	301.6	
		91.36	5.00	32.80	8.490	339.6	
		102.88	4.60	29.20	9.560	382.4	
		118.98	4.00	25.20	11.06	442.4	
		145.36	3.20	20.60	13.51	540.4	
		165.64	2.80	18.10	15.00	600.0	
231.61	2.00	12.90	15.00	600.0			
301.68	1.50	9.900	15.00	600.0			

• 此参数为电机使用转速范围在200~300RPM时 This parameter is used for motor speed range in 200~300RPM

运动特性曲线 Motion Characteristic Curve

● (取二段减速, 减速比为13.53K的滚筒为例)
Take the two stage of the reduction, the reduction ratio of 13.53K for the roller as an example



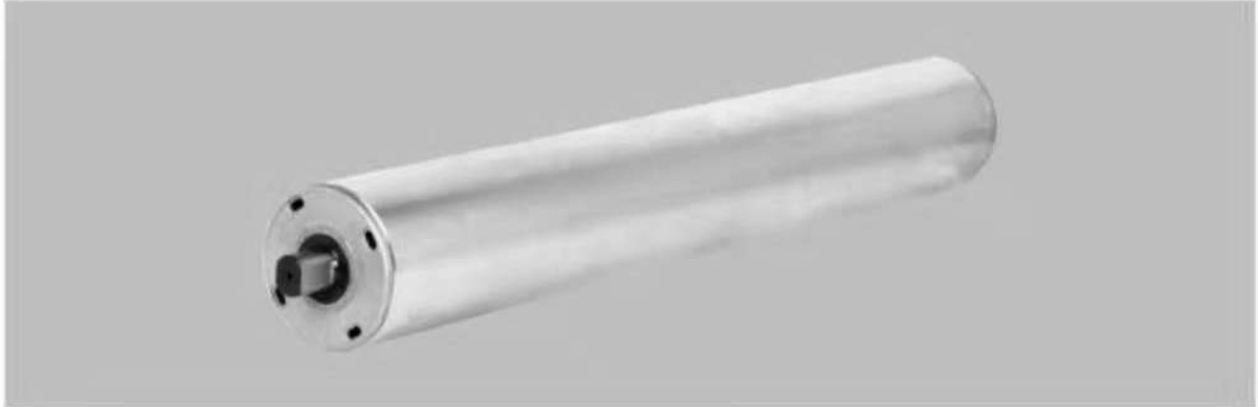
引出线说明 Lead Out Outlet

蓝 (Blue)	黄 (Yellow)	绿 (Green)	红 (Red)	黄 (Yellow)	绿 (Green)	蓝 (Blue)	黑 (Black)
Blue (Vcc)	Yellow (Hu)	Green (Hv)	Red (Vcc+5V)	Yellow (Hu)	Green (Hv)	Blue (Hw)	black (GND)
W	U	V	Vcc+5V	Hu	Hv	Hw	GND

- ◀注: ① Short-time operation area
② 200-3000RPM Continuous operation area
③ 200-2500RPM Continuous operation area
④ 200-2000RPM Continuous operation area



BL60电动滚筒
BL60 DRUM MOTOR



■ **产品信息 Product Information**

此款电动滚筒式空间极其有限的情况下，仍可以安装得到要求的力矩。采用高合金钢精磨齿轮和行星传动结构为主体设计，具有性能可靠、免维护、免加油、适合较小的安装空间等诸多优点。适用于多个领域：

This type of drum motor can be installed in limited space and meet the torque requirement. Using alloy steel grinded gears and planetary transmission structure, it is reliable, free of maintenance and oil-renewing, space-saving. It can be use in many fields:

- 超市收银台 Supermarket cashier
- 包装机械 Packaging machinery
- 皮带输送线 Belt conveyor line

■ **BL60电动滚筒特征 BL60 Characteristics Of Drum Motor**

● **筒体 Drum Shell**

- 标准筒体为低碳钢材质 · 食品级筒体为304不锈钢 · 标准筒体表面加工有防滑浪花 · 齿轮传动 · 高合金钢精磨齿轮，确保传动时低噪音 · 行星齿轮传动
- Material of standard drum shell is mild steel · Food grade shell is 304 stainless steel · Standard cylinder rolling mill gear slip flower – gear · High alloy steel precision, ensures low noise transmission when the · Planetary gear transmission

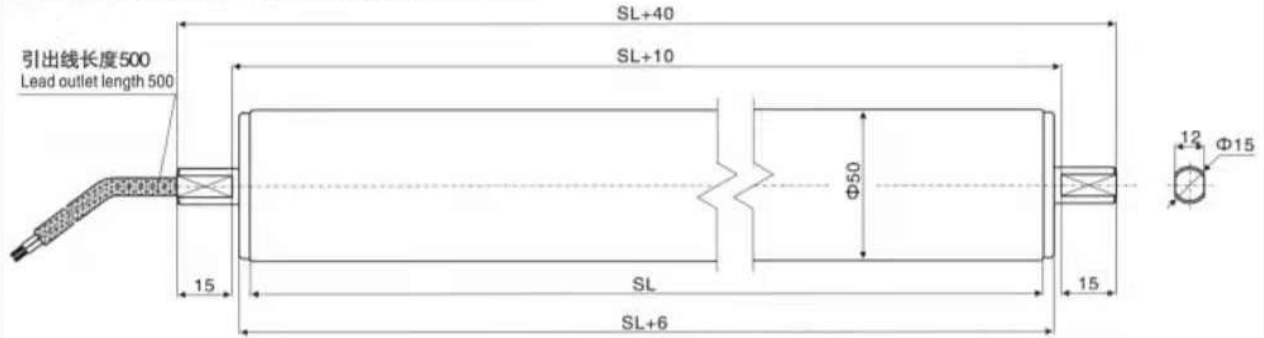
■ **电机基本特性 Basic Characteristics Of Motor**

● **外径60滚筒 (DC电源时适用于24VDC/36VDC/48VDC) External diameter 60 drum motor (DC Power Supply When Applied To 24VDC/36VDC/48VDC)**

额定功率(连续) Rated power (continuous)	W	90			
额定转速 Rated speed	r/min	3000			
额定转矩 Rated torque	N.m	0.285			
瞬时最大转矩 Instantaneous maximum torque	N.m	0.570			
速度控制范围 Speed control range	RPM	200~3000			
速率变化率 Speed control range	对负载 On load	±1.0%以下: 条件 0-额定转矩、额定转速、额定电压、常温 Below ±1%: condition 0-rated torque, rated speed, rated voltage, room temperature			
	对电压 On voltage	±1.0%以下: 条件 额定电压 ±10%、额定转速、额定负载、常温 Below ±1%: condition rated voltage ±10%, rated speed, rated load, room temperature			
	对温度 On temperature	±1.0%以下: 条件 使用环境温度0~+40oC 额定转速、额定负载、额定电压 Below ±1%: Conditions of ambient temperature 0~+40oC rated voltage, rated load and rated speed			
电源输入 Power input	额定电压 Rated voltage	V	单相Single phase 110V	单相Single phase 220V	24VDC(可选Optional 36VDC/48VDC)
	电压容许范围 Voltage tolerance range		±10%		
	频率 Frequency	Hz	50/60	/	
	频率容许范围 Frequency tolerance range		±5%	/	
	额定输入电流 Rated input current	A	2.3	1.2	5.3
瞬时最大输入电流 Instantaneous maximum input current	A	3.5	1.75	8.0	



BL60尺寸图 BL60 Outlining Dimensions



- 管径: Φ60 · 壁厚: t1.5 · 电源: DC24V/AC220V · 材质: 20#碳钢 · 表面处理: 镀锌
- Diameter: Φ60 · Wall thickness: t1.5 · Power supply: DC24V/AC220V · Material: 20# carbon steel · Surface treatment: zinc plating

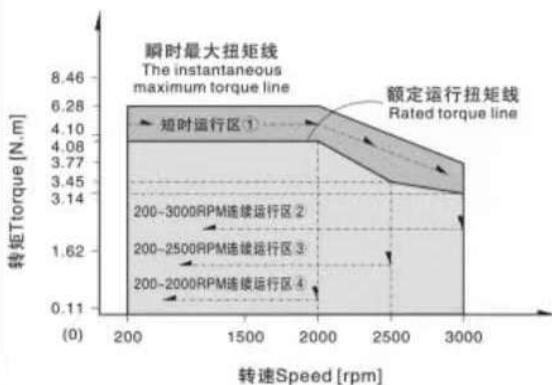
BL60机械参数 BL60 Mechanical Parameters

额定功率P Rated Power P W	齿轮箱级数 Gear Box Series	减速比i Reduction Ratio i	最高线速度V Max Speed V m/min	额定转速n Rated Speed n RPM	允许扭矩T Allowable Torque T Nm	起动力F Driving Force F N	长度L Length L mm
90W	一级 One Stage	3.65	155	821.9	0.940	31.33	≥270-1000
		5.36	105	559.7	1.380	46.00	
		6.55	86.0	458.0	1.690	56.33	
		8.63	65.0	347.6	2.230	74.33	
	二级 Two Stage	13.53	42.0	221.7	3.140	104.7	≥290-1000
		18.92	30.0	158.6	4.390	146.3	
		24.65	23.0	121.7	5.720	190.7	
		28.05	20.0	106.9	6.510	217.0	
		33.92	17.0	88.40	7.870	262.3	
		44.69	13.0	67.10	10.37	345.7	
		58.22	10.0	51.50	12.00	400.0	
		三级 Three Stage	67.08	8.00	44.70	14.03	
	81.11		7.00	37.00	16.96	565.3	
	91.36		6.00	32.80	19.11	637.0	
	102.88		5.50	29.20	21.52	717.3	
	118.98		5.00	25.20	24.88	829.3	
	127.74		4.40	23.50	25.00	833.3	
	145.36		4.00	20.60	25.00	833.3	
	165.64		3.40	18.10	25.00	833.3	
	191.56	3.00	15.70	25.00	833.3		
231.61	2.40	12.90	25.00	833.3			
301.68	2.00	9.900	25.00	833.3			
392.98	1.44	7.600	25.00	833.3			

· 此参数为电机使用转速范围在200-300RPM时 This parameter is used for motor speed range in 200-300RPM

运动特性曲线 Motion Characteristic Curve

- (取二段减速, 减速比为13.53K的滚筒为例)
Take the two stage of the reduction, the reduction ratio of 13.53K for the roller as an example



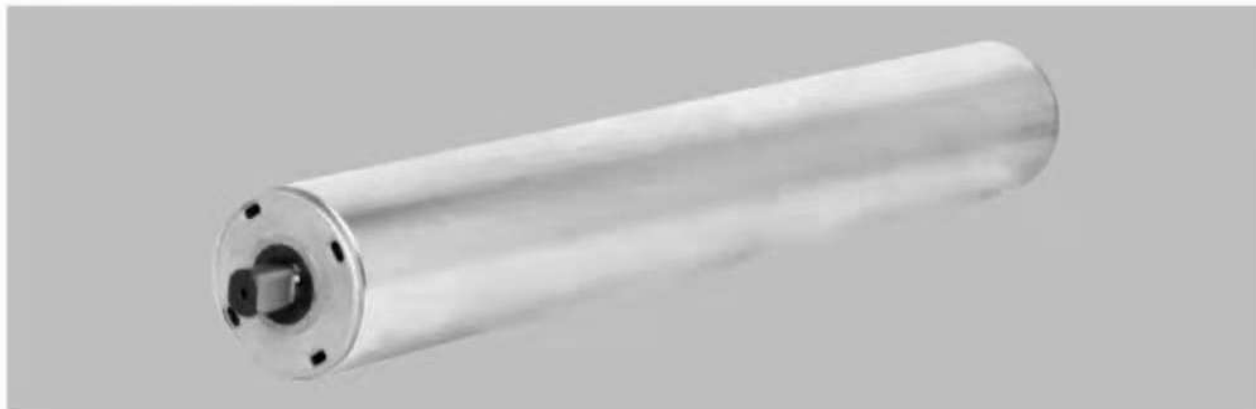
引出线说明 Lead Out Outlet

蓝(粗) Blue(thick)	黄(粗) Yellow(thick)	绿(粗) Green(thick)	红(粗) Red(thick)	黄(细) Yellow(thin)	绿(细) Green(thin)	蓝(细) Blue(thin)	黑(细) black(thin)
W	U	V	Vcc+5V	Hu	Hv	Hw	GND

- ◀注: ① Short-time operation area
- ② 200-3000RPM Continuous operation area
- ③ 200-2500RPM Continuous operation area
- ④ 200-2000RPM Continuous operation area



BL70电动滚筒 BL70 DRUM MOTOR



产品信息 Product Information

此款电动滚筒式空间极其有限的情况下，仍可以安装得到要求的力矩。采用高合金钢精磨齿轮和行星传动结构为主体设计，具有性能可靠、免维护、免加油、适合较小的安装空间等诸多优点。适用于多个领域：

This type of drum motor can be installed in limited space and meet the torque requirement. Using alloy steel grinded gears and planetary transmission structure, it is reliable, free of maintenance and oil-renewing, space-saving. It can be use in many fields:

- 超市收银台 Supermarket cashier
- 包装机械 Packaging machinery
- 皮带输送线 Belt conveyor line

BL70电动滚筒特征 BL70 Characteristics Of Drum Motor

● 筒体 Drum Shell

- 标准筒体为低碳钢材质 · 食品级筒体为304不锈钢 · 标准筒体表面加工有防滑滚花 · 齿轮传动 · 高合金钢精磨齿轮，确保传动时低噪音 · 行星齿轮传动
- Material of standard drum shell is mild steel · Food grade shell is 304 stainless steel · Standard cylinder rolling mill gear slip flower – gear · High alloy steel precision, ensures low noise transmission when the · Planetary gear transmission

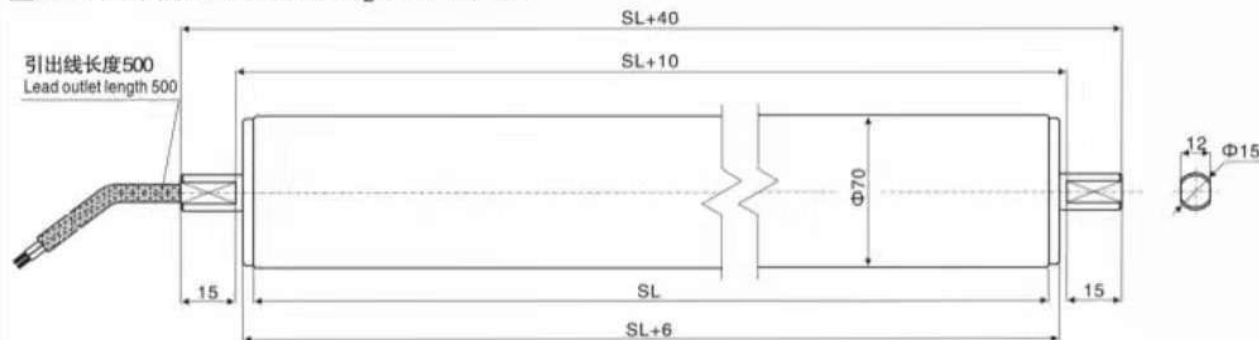
电机基本特性 Basic Characteristics Of Motor

- 外径70滚筒 (DC电源时适用于24VDC/36VDC/48VDC) External diameter 70 drum motor (DC Power Supply When Applied To 24VDC/36VDC/48VDC)

额定功率(连续) Rated power (continuous)	W	120		
额定转速 Rated speed	r/min	3000		
额定转矩 Rated torque	N.m	0.382		
瞬时最大转矩 Instantaneous maximum torque	N.m	0.760		
速度控制范围 Speed control range	RPM	200-3000		
速率变化率 Speed control range	对负载 On load	±1.0%以下: 条件 0-额定转矩、额定转速、额定电压、常温 Below ±1%: condition 0-rated torque, rated speed, rated voltage, room temperature		
	对电压 On voltage	±1.0%以下: 条件 额定电压 ±10%、额定转速、额定负载、常温 Below ±1%: condition rated voltage ±10%, rated speed, rated load, room temperature		
	对温度 On temperature	±1.0%以下: 条件 使用环境温度 0-+40°C 额定转速、额定负载、额定电压 Below ±1%: Conditions of ambient temperature 0-+40°C rated voltage, rated load and rated speed		
电源输入 Power input	额定电压 Rated voltage	V	单相 Single phase 110V	单相 Single phase 220V
	电压容许范围 Voltage tolerance range		±10%	
	频率 Frequency	Hz	50/60	/
	频率容许范围 Frequency tolerance range		±5%	
	额定输入电流 Rated input current	A	3.1	1.5
瞬时最大输入电流 Instantaneous maximum input current	A	4.7	2.3	10.7



BL70尺寸图 BL70 Outlining Dimensions



- 管径: Φ70 • 壁厚: t1.5 • 电源: DC24V/AC220V • 材质: 20#碳钢 • 表面处理: 镀锌
- Diameter: Φ70 • Wall thickness: t1.5 • Power supply: DC24V/AC220V • Material: 20# carbon steel • Surface treatment: zinc plating

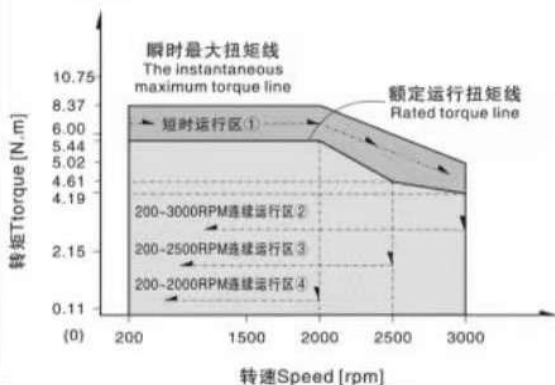
BL70机械参数 BL70 Mechanical Parameters

额定功率P Rated Power P W	齿轮箱级数 Gear Box Series	减速比i Reduction Ratio i	最高线速度V Max Speed V m/min	额定转速n Rated Speed n RPM	允许扭矩T Allowable Torque T Nm	起动力F Driving Force F N	长度L Length L mm
90W	一级 One Stage	3.65	180	821.9	1.250	35.71	≥320~1000
		5.36	123	559.7	1.840	52.57	
		6.55	100	458.0	2.250	64.29	
		8.63	76.0	347.6	2.960	84.57	
	二级 Two Stage	13.53	48.0	221.7	4.180	119.4	≥340~1000
		18.92	34.0	158.6	5.850	167.1	
		24.65	26.0	121.7	7.620	217.7	
		28.05	23.5	106.9	8.680	248.0	
		33.92	19.0	88.40	10.50	300.0	
		44.69	14.0	67.10	13.80	394.3	
		58.22	11.0	51.50	18.00	514.3	
	三级 Three Stage	67.08	9.00	44.70	18.60	531.4	≥360~1000
		81.11	8.00	37.00	22.58	645.1	
		91.36	7.00	32.80	25.44	726.9	
		102.88	6.00	29.20	28.64	818.3	
		118.98	5.00	25.20	33.13	946.6	
		127.74	5.00	23.50	35.57	1016.6	
		145.36	4.50	20.60	40.48	1156.6	
		165.64	4.00	18.10	46.12	1317.7	
191.56	3.40	15.70	50.00	1428.6			
231.61	2.80	12.90	50.00	1428.6			
301.68	2.00	9.900	50.00	1428.6			
392.98	1.60	7.600	50.00	1428.6			

• 此参数为电机使用转速范围在200~300RPM时 This parameter is used for motor speed range in 200~300RPM

运动特性曲线 Motion Characteristic Curve

- (取二段减速, 减速比为13.53K的滚筒为例)
Take the two stage of the reduction, the reduction ratio of 13.53K for the roller as an example



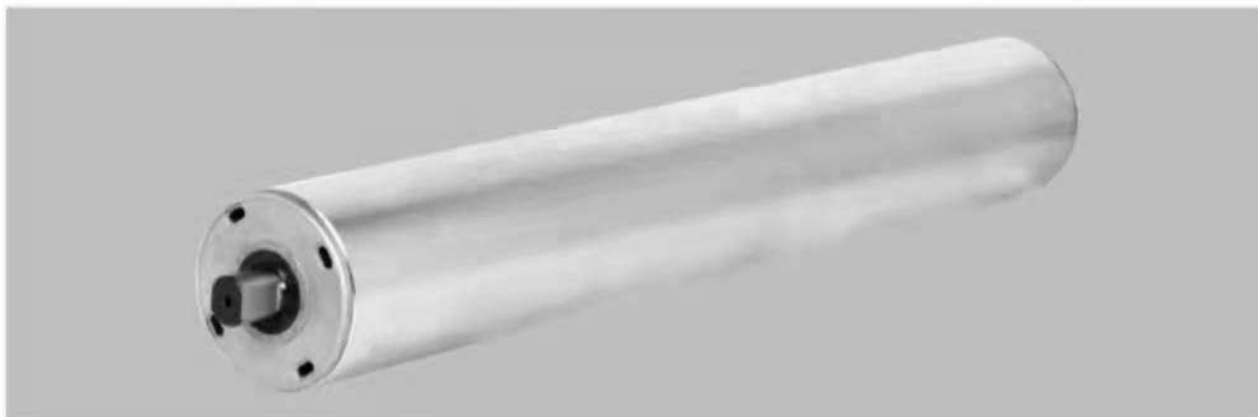
引出线说明 Lead Out Outlet

蓝(黑)	黄(黑)	绿(黑)	红(黑)	黄(黑)	绿(黑)	蓝(黑)	黑(黑)
Blue(Black)	Yellow(Black)	Green(Black)	Red(Black)	Yellow(Black)	Green(Black)	Blue(Black)	black(Black)
W	U	V	Vcc+5V	Hu	Hv	Hw	GND

- ◀注: ① Short-time operation area
- ② 200~3000RPM Continuous operation area
- ③ 200~2500RPM Continuous operation area
- ④ 200~2000RPM Continuous operation area



BL80电动滚筒 BL80 DRUM MOTOR



产品信息 Product Information

此款电动滚筒式空间极其有限的情况下，仍可以安装得到要求的力矩。采用高合金钢精磨齿轮和行星传动结构为主体设计，具有性能可靠、免维护、免加油、适合较小的安装空间等诸多优点。适用于多个领域：

This type of drum motor can be installed in limited space and meet the torque requirement. Using alloy steel grinded gears and planetary transmission structure, it is reliable, free of maintenance and oil-renewing, space-saving. It can be use in many fields:

- 超市收银台 Supermarket cashier
- 包装机械 Packaging machinery
- 皮带输送线 Belt conveyor line

BL80电动滚筒特征 BL80 Characteristics Of Drum Motor

● 筒体 Drum Shell

- 标准筒体为低碳钢材质 · 食品级筒体为304不锈钢 · 标准筒体表面加工有防滑滚花 · 齿轮传动 · 高合金钢精磨齿轮，确保传动时低噪音 · 行星齿轮传动
- Material of standard drum shell is mild steel · Food grade shell is 304 stainless steel · Standard cylinder rolling mill gear slip flower – gear · High alloy steel precision, ensures low noise transmission when the · Planetary gear transmission

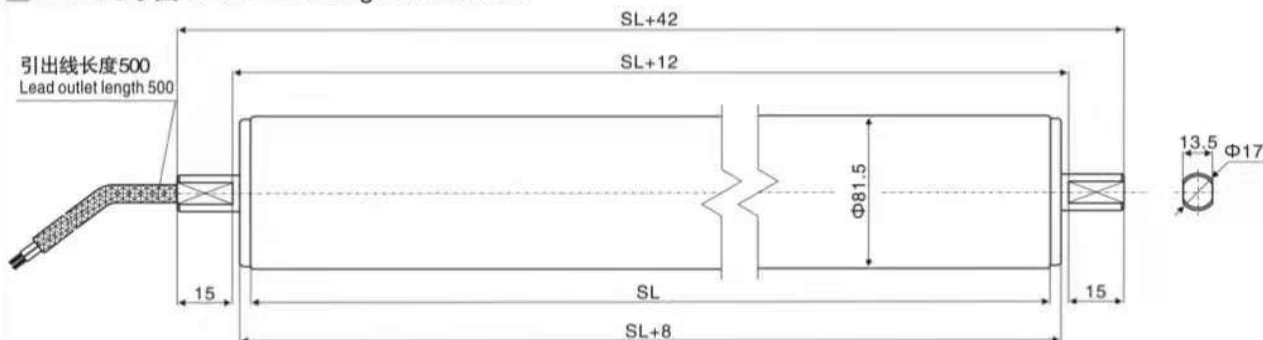
电机基本特性 Basic Characteristics Of Motor

● 外径80滚筒 (DC电源时适用于24VDC/36VDC/48VDC) External diameter 80 drum motor (DC Power Supply When Applied To 24VDC/36VDC/48VDC)

额定功率(连续) Rated power (continuous)		W	150			
额定转速 Rated speed		r/min	3000			
额定转矩 Rated torque		N.m	0.478			
瞬时最大转矩 Instantaneous maximum torque		N.m	0.72			
速度控制范围 Speed control range		RPM	200-3000			
速率变化率 Speed control range	对负载 On load		±1.0%以下: 条件 0-额定转矩、额定转速、额定电压、常温 Below ±1%: condition 0-rated torque, rated speed, rated voltage, room temperature			
	对电压 On voltage		±1.0%以下: 条件 额定电压 ±10%、额定转速、额定负载、常温 Below ±1%: condition rated voltage ±10%, rated speed, rated load, room temperature			
	对温度 On temperature		±1.0%以下: 条件 使用环境温度 0~+40°C 额定转速、额定负载、额定电压 Below ±1%: Conditions of ambient temperature 0~+40°C rated voltage, rated load and rated speed			
电源输入 Power input	额定电压 Rated voltage		V	单相 Single phase 110V	单相 Single phase 220V	24VDC(可选 Optional 36VDC/48VDC)
	电压容许范围 Voltage tolerance range		±10%			
	频率 Frequency		Hz	50/60		/
	频率容许范围 Frequency tolerance range		±5%			
	额定输入电流 Rated input current		A	3.89	1.95	8.9
瞬时最大输入电流 Instantaneous maximum input current		A	5.84	3.0	13.4	



BL80尺寸图 BL80 Outlining Dimensions



- 管径: Φ80 · 壁厚: t2.0 · 电源: DC24V/AC220V · 材质: 20#碳钢 · 表面处理: 镀锌
- Diameter: Φ80 · Wall thickness: t2.0 · Power supply: DC24V/AC220V · Material: 20# carbon steel · Surface treatment: zinc plating

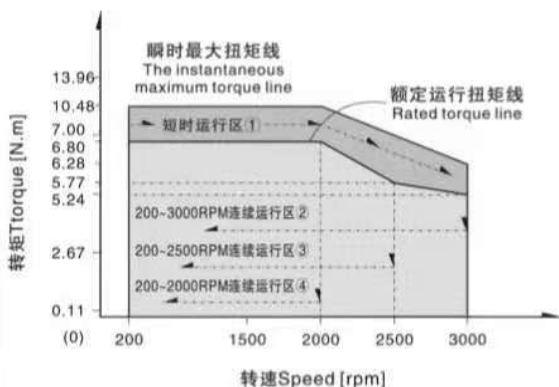
BL80机械参数 BL80 Mechanical Parameters

额定功率P Rated Power P W	齿轮箱级数 Gear Box Series	减速比i Reduction Ratio i	最高线速度V Max Speed V m/min	额定转速n Rated Speed n RPM	允许扭矩T Allowable Torque T Nm	起动力F Driving Force F N	长度L Length L mm
150W	一级 One Stage	3.65	211.7	821.9	1.570	39.25	≥360~1000
		5.36	144.0	559.7	2.300	57.50	
		6.55	118.0	458.0	2.810	70.25	
		8.63	89.50	347.6	3.710	92.75	
	二级 Two Stage	13.53	57.00	221.7	5.230	130.8	≥380~1000
		18.92	41.00	158.6	7.320	183.0	
		24.65	31.00	121.7	9.530	238.3	
		28.05	27.50	106.9	10.85	271.3	
		33.92	22.80	88.40	13.11	327.8	
		44.69	17.00	67.10	17.28	432.0	
		58.22	13.00	51.50	22.52	563.0	
	三级 Three Stage	67.08	11.50	44.70	23.35	583.75	≥400~1000
		81.11	9.500	36.90	28.23	705.75	
		91.36	8.500	32.80	31.80	795.00	
		102.88	7.500	29.20	35.81	895.25	
		118.98	6.500	25.20	41.41	1035.3	
		127.74	6.000	23.50	44.56	1111.5	
		145.36	5.000	20.60	50.60	1265.0	
		165.64	4.600	18.10	57.66	1441.5	
191.56		4.000	15.60	66.68	1667.0		
231.61		3.000	12.90	80.62	2015.5		
301.68		2.500	9.900	84.00	2100.0		
392.98	2.000	7.600	84.00	2100.0			

· 此参数为电机使用转速范围在200~300RPM时 This parameter is used for motor speed range in 200~300RPM

运动特性曲线 Motion Characteristic Curve

- (取二段减速, 减速比为13.53K的滚筒为例)
Take the two stage of the reduction, the reduction ratio of 13.53K for the roller as an example



引出线说明 Lead Out Outlet

蓝(粗)	黄(粗)	绿(粗)	红(粗)	黄(细)	绿(细)	蓝(细)	黑(细)
Blue(thick)	Yellow(thick)	Green(thick)	Red(thick)	Yellow(thin)	Green(thin)	Blue(thin)	black(thin)
W	U	V	Vcc+5V	Hu	Hv	Hw	GND

- ◀注: ① Short-time operation area
- ② 200~3000RPM Continuous operation area
- ③ 200~2500RPM Continuous operation area
- ④ 200~2000RPM Continuous operation area

关于衡隆>>生产与加工

PROCESSING EQUIPMENT



关于衡隆>>应用案例

APPLICATION CASE

产品广泛应用于冶金矿山、石油电力、化工橡胶、施工工程、建材机械、铁路车辆、港口船舶、纺织印染、食品包装、烟草机械、制药机械、环保设备、造纸印刷、起重输送、物流卸装、农牧机械、渔业机械、轻工机械、皮革机械、铸造机械、焊接设备、制冷设备等通用设备和舞台、游戏机、立体车库等非标准设备。



矿山设备



粮油设备



冶金辊道



包装设备



港口运输



物流设备



模具设备



印刷设备



起重设备



环保设备



烟草设备



啤酒设备



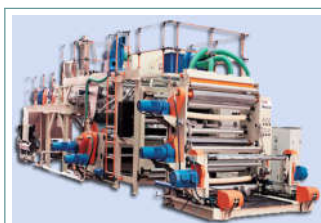
饮料设备



管材设备



挤出设备



塑料设备



建材设备



造纸设备



工程机械



输送设备

关于衡隆>>售后服务

PAFTER-SALE SERVICE

各种传动设备，客户发现质量问题时，不要先拆卸零件，应说明以下情况后与本公司售后服务部联系，说明现象后确认问题所在，再采用比较理想的方法处理。

型号规格: _____

出厂日期: _____

编号: _____

已使用时间: _____

使用场合或主机名称: _____

主机生产单位: _____

质量问题: _____



衡隆电机



衡隆(东莞)电机有限公司

HENGLONG(DONGGUAN) MOTOR CO.,LTD

地址: 东莞市道滘镇厚德村工业区五花街58号

电话: 0769-22476311 22476752 23023718

传真: 0769-22477253 QQ: 3023594422

Http://www.henglongmotor.com

E-mail: fjp08@126.com(销售)